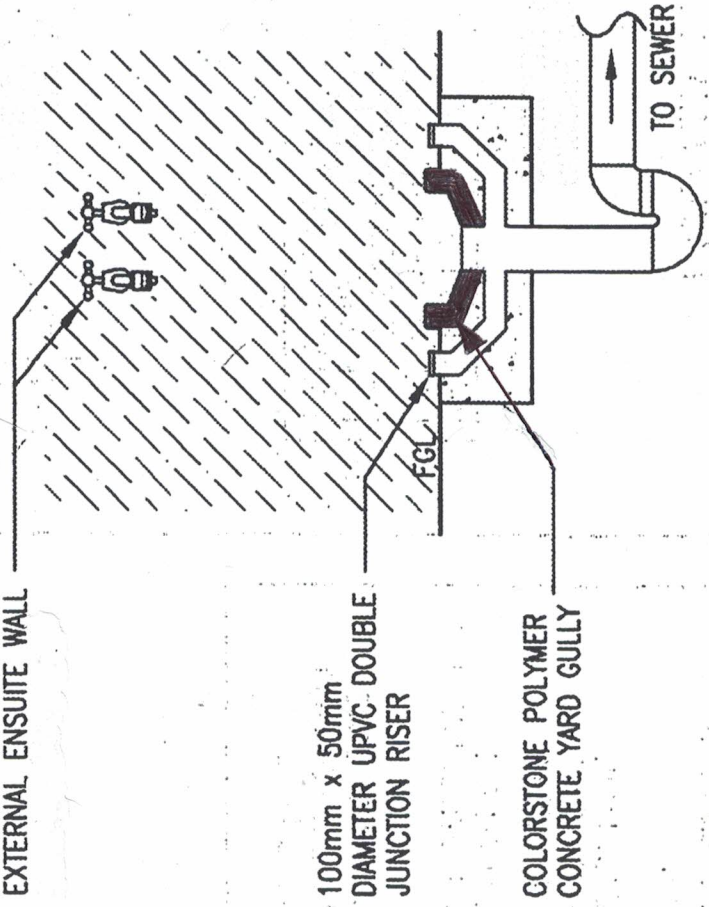


20mm HOSE TAPS FIXED TO EXTERNAL ENSUITE WALL



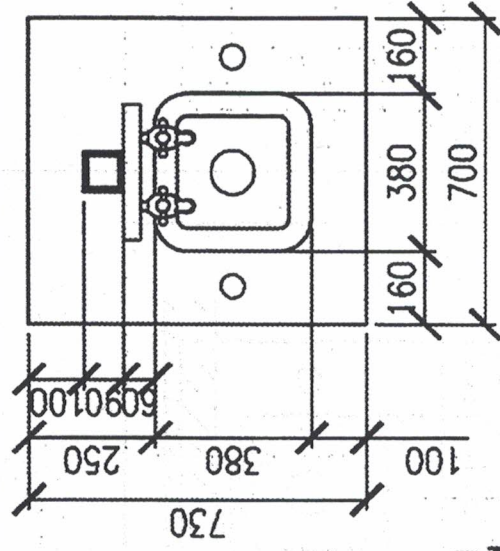
100mm x 50mm DIAMETER UPVC DOUBLE JUNCTION RISER

COLORSTONE POLYMER CONCRETE YARD GULLY

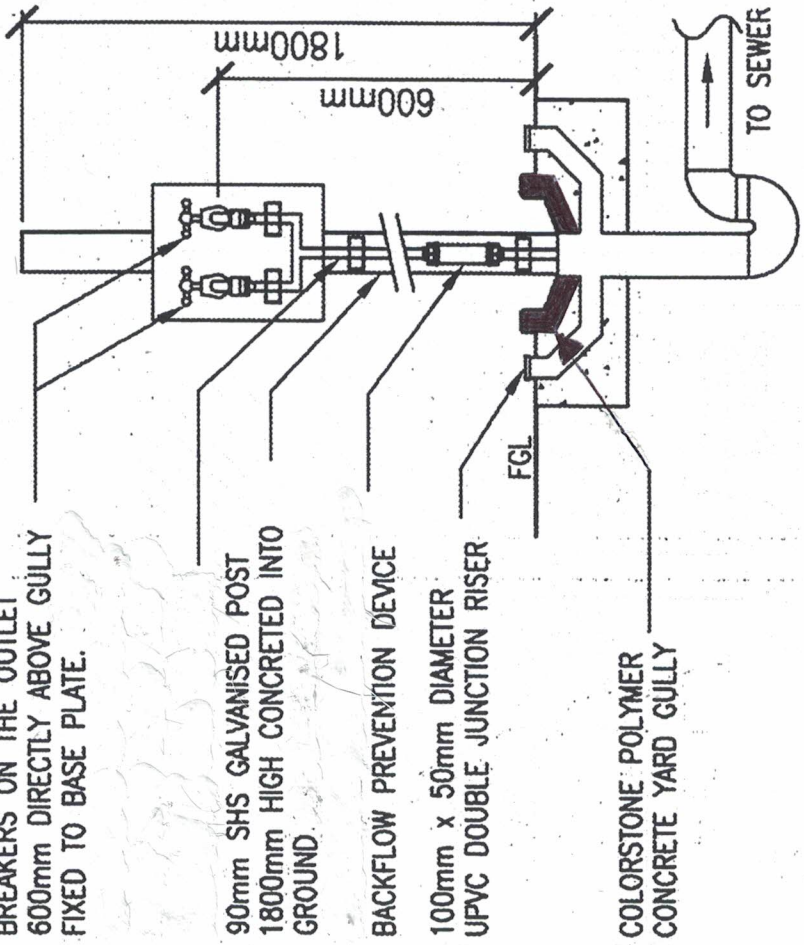
ENSUITE BLOCK SULLAGE DUMP

POINT

NOT TO SCALE



20mm HOSE TAPS WITH TAMPER-PROOF VACUUM BREAKERS ON THE OUTLET 600mm DIRECTLY ABOVE GULLY FIXED TO BASE PLATE.



90mm SHS GALVANISED POST 1800mm HIGH CONCRETED INTO GROUND.

BACKFLOW PREVENTION DEVICE

100mm x 50mm DIAMETER UPVC DOUBLE JUNCTION RISER

COLORSTONE POLYMER CONCRETE YARD GULLY

YARD 'FREE STANDING' SULLAGE

DUMP POINT

NOT TO SCALE